

HENER

一站式衡器解决服务商
One-stop weighing device solution
service provider



我们的技术能力 - 为您创造更多价值

产品手册 Product Manuals



常州恒尔称重设备制造有限公司
CHANGZHOU HENER WEIGHING EQUIPMENT CO.,LTD

地址: 江苏省常州市武进区湟里镇新园路9-1号
Add: No.9-1 Xinyuan Road, Huangli Town, Wujin District, Changzhou City, Jiangsu Province
电话: +86-519-86255726 传真: +86-519-86255911
Http://www.hener.cn Http://www.chinahener.com
邮箱: sales@chinahener.com

我们的技术能力 - 为您创造更多价值

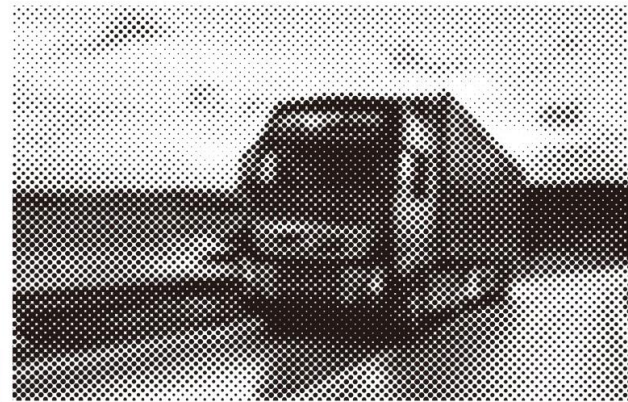
HENER

我们的技术能力 - 为您创造更多价值

HENER WEIGHING



INTRODUCTION



企业简介

恒尔称重设备制造有限公司以及常州顺铎全进出口有限公司是一家坐落于江苏省常州市专门从事称重设备研发、制造、销售和企业的企业。该公司生产的称重设备包括汽车衡、地磅、叉车秤、台秤、吊钩秤等近16种类型，在工业、商贸、物流、农业等领域广泛应用。本公司在设计 and 制造称重设备时，采用最先进的传感器技术和数字化处理技术，以提高称重准确度和稳定性，同时也注重产品的外观设计和人性化功能，以满足不同客户的需求。经过多年的生产，已经具备了相当成熟的独家技术，不仅获得了国内经销商和直接用户的一致认可，更是远销墨西哥，德国，西班牙，迪拜，阿拉伯，柬埔寨，土耳其等全球各个国家与地区。

Hener Weighing Equipment Manufacturing Co., Ltd. and Changzhou Shunduo Import and Export Co, Ltd. are located in Changzhou City, Jiangsu Province, specializing in the research and development, manufacturing, sales and service of weighing equipment. The weighing equipment produced by the company includes nearly 16 types, such as truck scale, floor scale, pallet scale, platform scale, crane scale and so on, which are widely used in industry, commerce, logistics, agriculture and other fields. When designing and manufacturing weighing equipment, the company adopts the most advanced sensor technology and digital processing technology to improve weighing accuracy and stability, and also pays attention to product appearance design and humanized functions to meet the needs of different customers. After years of production, it has already possessed quite mature exclusive technology, not only won the unanimous approval of domestic distributors and direct users, but also exported to Mexico, Germany, Spain, Dubai, Arabia, Cambodia, Turkey and other countries and regions around the world.



HENER

03

资质荣誉

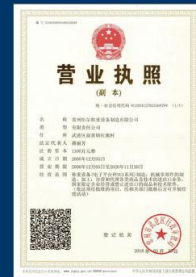
恒尔一直致力于称重设备的研发、制造和销售，并始终保持着高水平的技术创新和品质控制。公司自2003年成立以来，不仅为用户提供了高品质的称重设备，还获得了多项荣誉资质的认证。首先，公司通过了ISO9001国际质量管理体系认证，并持续推动全员参与，全面贯彻执行各项工作流程和标准，为用户提供高品质的产品和服务。其次，公司的称重设备已通过了OIML（国际计量组织）认证，这是国际上最具权威性的计量认证机构之一。这一认证证明了公司生产的称重设备的精度和可靠性达到了国际标准。此外，公司还获得了多项专利和荣誉，包括发明专利、高新技术企业称号、中国衡器协会理事成员等，这些荣誉资质充分证明了公司在技术创新方面的实力和成果。总的来说，称重设备制造有限公司凭借着诚信、创新、品质和服务的核心价值观，致力于为用户提供高品质的称重设备，同时也得到了社会各界的认可和肯定。

Hener has been committed to the R&D, manufacturing and sales of weighing equipment, and has always maintained a high level of technological innovation and quality control. Since its establishment in 2003, the company has not only provided users with high-quality weighing equipment, but also obtained a number of honorary certifications. First of all, the company has passed the ISO9001 international quality management system certification, and continues to promote the participation of all employees, fully implement various work processes and standards, and provide users with high-quality products and services. Secondly, the company's weighing equipment has passed the certification of OIML (International Organization of Metrology) and CE certification, which is one of the most authoritative measurement certification bodies in the world. This certification certifies that the precision and reliability of the weighing equipment produced by the company meets international standards. In addition, the company has also obtained a number of patents and honors, including invention patents, the title of high-tech enterprise, and a member of the China Weighing Instrument Association. These honors fully prove the company's strength and achievements in technological innovation. In general, Changzhou Hener Weighing Equipment Manufacturing Co., Ltd. is committed to providing users with high-quality weighing equipment with the core values of integrity, innovation, quality and service, and has also been recognized and affirmed by all sectors of society.



我们的技术能力 - 为您创造更多价值

HENER'S ENTERPRISE SPIRIT





5 恒尔优势

The Superiority of Hener

我们的技术能力 - 为您创造更多价值

丰富的经验: 公司成立于2003年, 拥有20年的称重设备制造经验, 积累了丰富的技术和管理经验。我们坚持“诚实守信, 技术创新, 客户至上, 主动高效, 追求卓越”的核心价值观, 不断追求客户, 员工, 合作伙伴和公司的共同发展, 创造和谐的发展观。

高品质的产品:

- 1.秤体:** 采用独特的U型钢桥梁式结构, 具有强度高, 韧性好, 结构简介紧凑等特点, 可以承受超国际150%的轴种高压。秤台内腔全密封, 不易生锈。钢板经抛丸除锈处理后, 采用环氧富锌底漆和丙烯酸船用漆, 不易生锈, 耐磨, 耐压, 耐酸, 耐碱, 防腐能力更强。
- 2.称重:** 称重范围广, 低至50克, 高至200吨。
- 3.称重传感器:** 反向进度快, 操作简单, 大大缩小了人造误差等要素, 提升了精确度并且具有防潮, 防侵蚀功能。
- 4.电子衡器还能够做出一机多秤。** 一台微机掌握多少台秤体。完成群控和集控, 大大缩小了设施投资。
- 5.产品质检合格率:** 产品出厂批次合格率高达99.99%

优质的服务:

- 1. 凡本公司客户均可免费享受物流地磅使用培训, 常见问题维护技巧培训, 配件保养知识等增值服务**
- 2. 售后服务:**
提供一年内免费维修, 免费更换仪表, 接线盒, 显示器等配件 (自然灾害, 人为破坏除外) 终身维护
24小时内全天候远程热线技术支持帮助
48小时内技术工程师现场排除故障

The Superiority of Hener:

Rich experience: Founded in 2003, the company has 20 years of experience in weighing equipment manufacturing and has accumulated rich technical and management experience. We adhere to the core values of "honesty and trustworthiness, technological innovation, customer first, initiative and efficiency, and pursuit of excellence", constantly pursue the common development of customers, employees, partners and the company, and create a harmonious development concept.

High quality of Products:

- 1.Scale body:** It adopts a unique U-shaped steel bridge structure, which has the characteristics of good strength, good rigidity, and compact structure, and can withstand 150% of the international shaft high pressure. The inner cavity of the weighing platform is fully sealed and is not easy to rust. After the steel plate has been treated by shot blasting and derusting, epoxy zinc-rich primer and acrylic marine paint are used, which are not easy to rust, wear-resistant, pressure-resistant, acid-resistant, alkali-resistant, and have stronger anti-corrosion capabilities.
- 2.Weighing:** Weighing range is wide, as low as 50 grams, as high as 200 tons.
- 3.Load cell:** the reverse progress is fast, the operation is simple, the artificial error and other factors are greatly reduced, the accuracy is improved, and it has the functions of moisture resistance and corrosion resistance.
- 4.Electronic scales can also make one machine with multiple scales.** How many scales can be controlled by one microcomputer. Complete group control and centralized control, greatly reducing facility capital injection.
- 5.Product quality inspection pass rate:** the product factory batch pass rate is as high as 99.99%

Excellent service:

- 1.All customers of our company can enjoy value-added services such as logistics platform use training, common problem maintenance skills training, and parts maintenance knowledge for free**
- 2.After-sales service:**
 1. Provide free maintenance within one year, free replacement of instruments, junction boxes, displays and other accessories (except for natural disasters and man-made damage) life-long maintenance
 2. 24-hour remote hotline technical assistance
 3. Technical engineers on-site troubleshooting within 48 hours



电子汽车衡 Electronic Truck Scale



称台设计模块化、标准化、系列化、可以自由组成多种规格，该系统选用高精度双剪梁式柱式称重传感器和功能丰富、存储功能强、带蓄电池具有断电续用功能的称重显示仪表，以及高精度低温漂抗干扰防强电浪涌的不锈钢防水接线盒、信号屏蔽电缆组成多功能的稳重量量系统。

Welding platform design is standardizing, modularized, serialized, it can form to a variety of models freely, the system selects high precision double shear beam or column weighing sensors, weighing indicator has rich features, strong storage and with a battery that can continue using when the power off, as well as a high precision, low temperature drift and stronger anti-interference stainless steel waterproof junction box, and signal shielded cable to make the measurement system multifunctional and reliable.

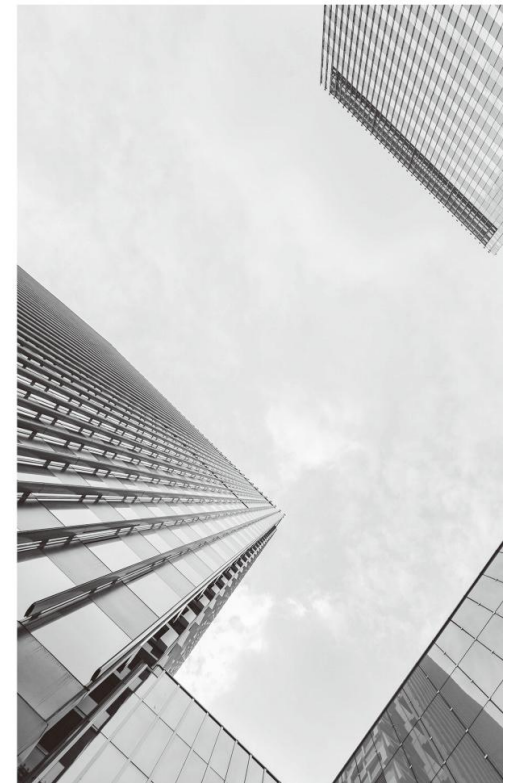
HENER WEIGHING EQUIPMENT

- ▶ SCS系列全电子汽车衡是本公司博采当今国内多种结构的汽车衡所长，自主研发，并经长时间的重载实验组不断优化而成的新一代汽车衡。
SCS series electronic truck is a new generation of truck scale which depends on today's domestic truck scale advantage. It's gradually developed by our own technology and long period of overloading tests.
- ▶ 称台主梁为坚固U型结构，称台面选用型号为Q235的平板，合理拼接成封闭的箱型结构。
The main beam is sturdy U-type structure. The weighing platform panel selects Q-235 flat and splices into to the closed box-type structure, which is a very reliable structure.
- ▶ 组焊时运用独特的工装夹具、精密的空间定位测量技术和先进的焊接工艺，有效的保证了如此大面积称台的平整度、空间几何尺寸及焊接应力的合理分布。
The welding process adopts unique fixture, precise space orientation and measurement technology, advanced welding technology; effectively ensure the flatness of such a large weighing platform, geometrical size and rational distribution of welding stress.

结构功能特点

Structure Functions and Features

- 模块化、数字化、标准化、系列化合秤，多单元组合
Modularization, digitization, standardization, serialization platform balance, multi-unit combination
- 自动复位传力机构
Automatic reset force transmission system
- 与各类仪表匹配
Can be matched with various indicators
- 数字显示毛重、净重、皮重
Digital display gross weight, net weight, tare
- 动态、欠载和超载等状态显示
Display Dynamic, under load and overload situation
- 数字滤波、自动清零跟踪
Digital filtering, clear tare automatically
- 自动去皮、自动清皮
Subtract tare and clear tare automatically
- 键盘设立/校正
Keyboard set/calibration
- 车号、皮重存储，分项累计、总累计
Vehicle No., tare storage, subitem accumulation, total accumulation
- 数据输出/自动打印
Data output/print automatically



产品型号 Type of product	SCS-20	SCS-30	SCS-50	SCS-60	SCS-80	SCS-100	SCS-120	SCS-150
最大称量 Max weighing capacity (t)	20	30	50	60	80	100	120	150
分度值 Division value (kg)	10	10	20	20	20	20	20	50
传感器容量 Sensor capacity (t)	10	20	20	20	30	30	30	40
台面规格(m)(宽×长) Platform size: W× L(m)	优选规格 Optimization Specification							
2×4	★							
3×7	★	★						
3×9		★	★	★				
3×10		★	★	★				
3×12		★	★	★				
3×14			★	★	★			
3×15			★	★	★	★		
3×16			★	★	★	★	★	
3×18				★	★	★	★	
3.4×14				★	★			
3.4×16				★	★	★	★	
3.4×18					★	★	★	★
3.4×21					★	★	★	★



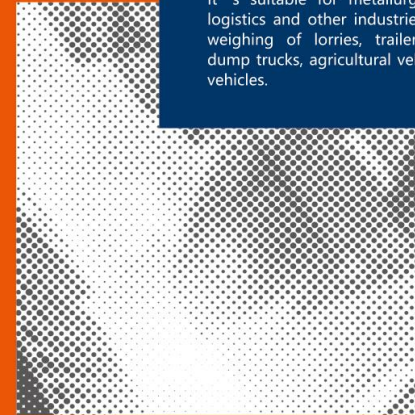
Electronic Truck Scale

适用范围

Scope Of Application

计量系统优越、准确度高、长期稳定性好、安装维护及其方便，广泛应用于工厂、货场、仓储、港口、车间、粮库、收购站等场合的进出口物资计量、库存计量、生产监控及数据管理。适用于冶金、矿工、化工、粮食、物流等行业，是各种载货卡车、挂车、半挂车、集装箱车、自卸车、农用车等载重车辆称重计量的理想选择。

Superior measurement performance, high accuracy, long-term stability, convenient installation and maintenance, make our truck scale widely used in materials measurement in or out, inventory measurement, production monitoring and data management and etc. It's suitable for metallurgy, chemical industry, food, logistics and other industries and is an ideal choice for weighing of lorries, trailers, semi-trailers, containers, dump trucks, agricultural vehicles and other overloading vehicles.



HENER

HENER

动态/静态 便携式轴重秤

- ▶ 独一无二的核心结构设计能承受超过额定载重120%的重量
The unique structure design of key components accepts the weight to be 120% more than weighing capability.
- ▶ 在运输、建筑、路政执法等方面做出了巨大贡献。
It contributes huge work in transportation, construction and Highways enforcement, etc.
- ▶ 对于一些特殊车辆的的负荷检查及低价值物品，它成为了代替汽车衡的不二选择。
It would be the only choice to replace truck scale for monitoring some special vehicles' load.



Type A



Type C

型号Model	PAW-A				
最大承重 (单轴) Max Capability(Single Axle)	5t	10t	15t	20t	30t
承重板尺寸 Pad dimension	700*430*30(mm)			800*430*30(mm)	
引坡尺寸 Ramp dimension	700*350 (mm)			800*350(mm)	
精度 Precision	静态±0.05%，动态±2% Static ±0.05%, Dynamic ±2%				
传感器结构 Load Cell structure	整板为传感器，应变计贴在板中 Pad is load cell, strain gauge inside				
线缆长度 Cable Length	每套板标准配置为2块承重板，线缆长为10米和8米，如果有需要，更长的线缆可选 One set include 2 weighing pads, Cable length is 10m and 8m, but longer cable is optional				
分度值 Division	0.5kg, 1kg, 2kg, 5kg, 10kg, 20kg, 50kg				
动态称量速度 Inspecting Speed	平均速度小于10公里/小时 ≤10km/h on average				
工作温度 Work Temperature	-45°C ~ +70°C				



多重密封保护，防水防潮设计，确保雨天能正常使用。
Multiple seal protection and water proof for the system to work in raining or snowing.

台面采用IP66~IP67防护等级，在恶劣环境中仍能体现卓越品质。
The pad adopts IP66~IP67 protection level, even better sealing for harsh environments.

根据不同的请用情况，您可以选择使用不同的工作模式：交警模式、路政模式以及七部委模式。
According to different situation, you can chose different working modes: Traffic police mode, highways mode and ministries mode.

Portable Axle Weighing Scale

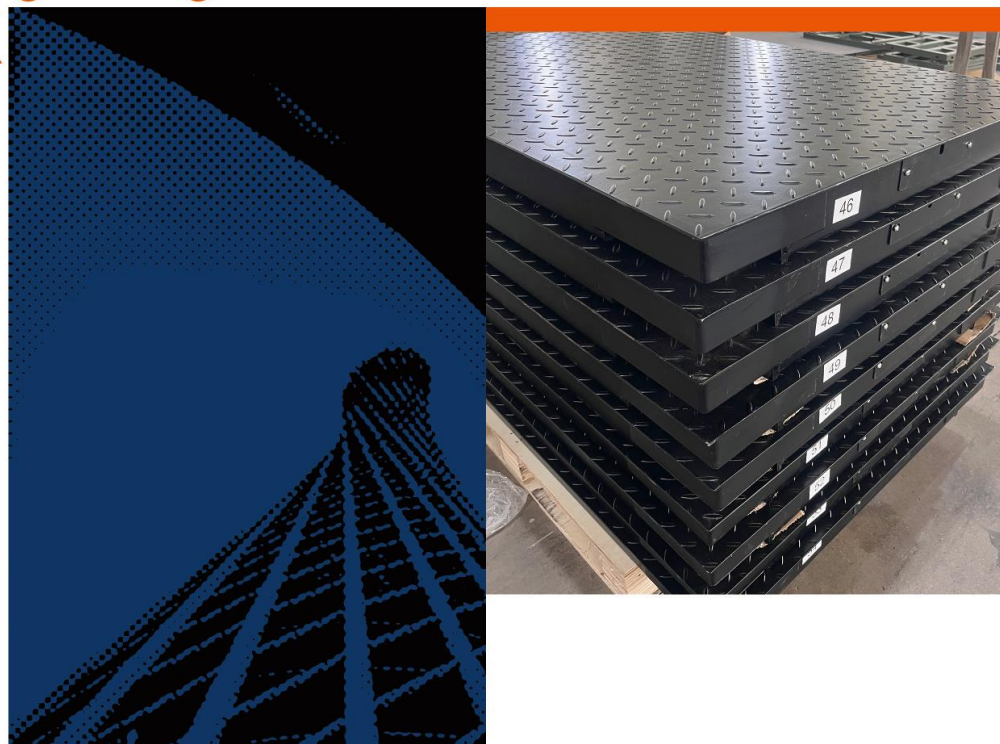


标准尺寸 Dimension	标准称重 Capacity	标准规格 Specification
0.8*0.8(m)	最大到 Up to 10t	A)单层台面Single deck
1.0*1.0(m)		B)全碳钢结, 完美喷塑Carbon steel structure, power-coated
1.2*1.2(m)		C)U型梁结构, 完美工艺U-shape beams by moulds
1.2*1.5(m)		D)标配带传感器With load cells
1.5*1.5(m)		E)多种仪表任以选择Indicator optional
1.5*2.0(m)		F)带塑料防水接线盒With junction box
2.0*2.0(m)		
2.0*3.0(m)		

HENER Weighing Equipment

单层小地磅

- ▶ 最大称重10t;最大台面尺寸2m×3m。
Max.capacity10t; Max. platform dimension 2m×3m.
- ▶ 碳钢折弯强化结构适用于各种称重, 表面的高档喷塑处理保证了喷塑和喷漆的品质。
Reinforced carbon steel bending structure is suitable for a variety of weighing requirements. The top quality of spraying paint treatment of surface ensures best power coating and painting quality.
- ▶ 防滑压花优质钢板——台面的最好选择, 选用不锈钢材质, 适用范围更广。
The platform adopts high quality of anti-skid embossing plate, stainless steel material makes the range of application wider.



HENER Weighing Equipment



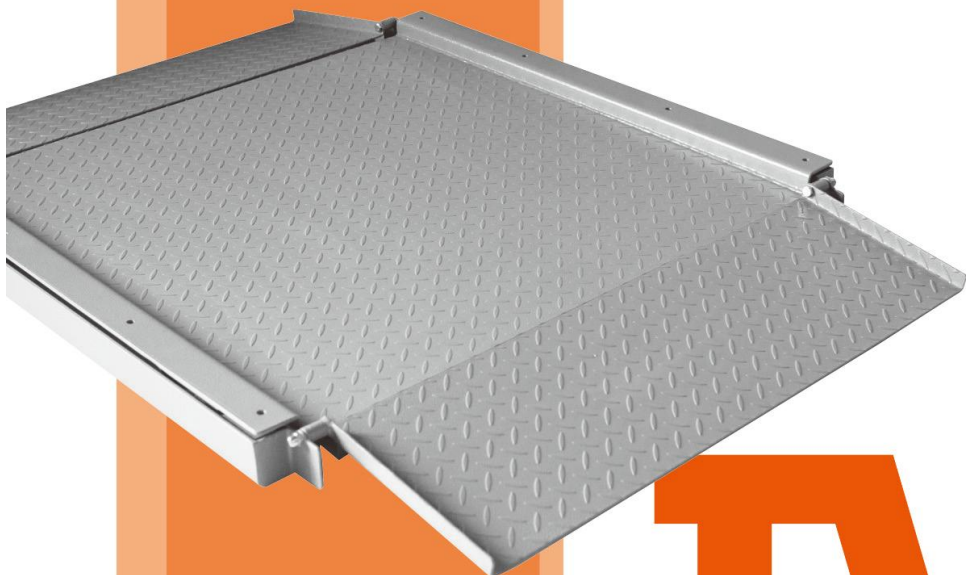
双层小地磅



- ▶ **最大称重10t;最大台面尺寸2m×3m.**
Max.capacity10t; Max. platform dimension 2m×3m.
- ▶ 在不平整的地面再也无需担心，双层小地磅自带外框，往地上一放即可使用，也非常适用于放在基坑内使用。
There no need to worry the irregular floor anymore. The double decks floor scale can be used anywhere, just put it on the ground, and it is also suitable to be used in pit!
- ▶ 超薄型碳钢折弯强化结构可靠扎实，不锈钢材质耐腐蚀、可冲洗。
Reinforced carbon steel bending structure is sturdy and reliable, stainless steel material is corrosion-resistant and easy to wash.
- ▶ 称台配有四高精度单剪切传感器使称量更精确。
The weighing platform equips with four high precision single shear beam sensors to make weighing more accurate.

平均年销量
3000000+

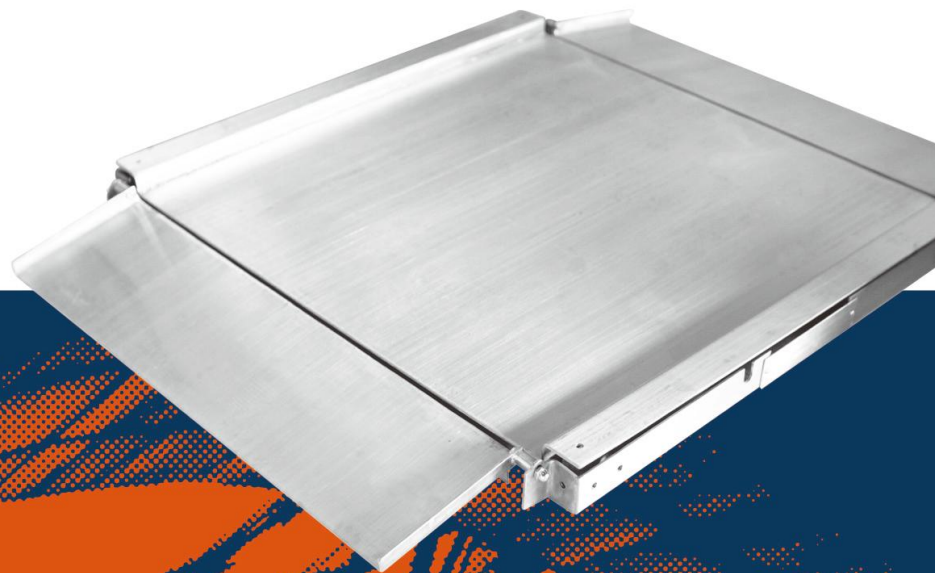
DOUBLE DECK PLATFORM FLOOR SCALE		
标准尺寸 Dimension	标准称重 Capability	标准规格 Specification
0.8*0.8(m)	最大到 Up to 10t	A)双层台面Double deck B)全碳钢结构，完美喷塑Carbon steel structure, power-coated C)U型梁结构，完美工艺U-shape beams by moulds D)标配带传感器With load cells E)多种仪表任以选择Indicator optional F)带塑料防水接线盒With junction box
1.0*1.0(m)		
1.2*1.2(m)		
1.2*1.5(m)		
1.5*1.5(m)		
1.5*2.0(m)		
1.5*3.0(m)		
2.0*3.0(m)		



- ▶ 不平整的地面再也无需担心，双层小地磅自带外框及引坡，往地上一放即可使用。
You DO NOT need to worry the irregular floor anymore. The double decks floor scale can be used anywhere. Just put it on the ground!
- ▶ 花纹板与平板，碳钢与不锈钢，无尽的选择尽在眼前。
Checker plate or smooth plate, carbon steel or stainless steel, are all presented to be selected.
- ▶ 两边可折叠的引坡，不用的时候折叠起来方便拿到别的地方使用。
The two foldable ramps are convenient to fold when unused.
- ▶ 最大称重3t；最大台面尺寸1.5m×1.5m。
Max. capacity: 3t; Max. platform dimension 1.5m×1.5m.
- ▶ 适用于小型工矿企业，人力推车较为普遍的情况下。
The double deck platform is suitable for miniature industries and mining enterprises and the saturation when manual haulage is general.
- ▶ 在肉、鱼的处理工厂、化学品工厂、乳制品厂等比较恶劣的酸、碱、盐运输环境中经常用到不锈钢系列的小地磅。
The stainless steel series are well used in those applications in damp and harsh environments such as meat or fish processing plants, chemical industries and dairies.

标准尺寸 Dimension	标准规格 Specification
0.8*0.8(m)	最大到 Up to 3000kg
1.0*1.0(m)	
1.2*1.2(m)	
1.5*1.5(m)	

单层/双层
超低小地磅
Extra Low
Double
Deck Platform
Floor Scale



Forklift Scale/ Pallet Scale

叉车秤

独特的核心部件结构设计，整个车身不仅不怕撞击，而且还使得车身的最低高度降到了75mm。

The distinctive structural design of key components not only can accept strong impact, but also makes the height as lower as 75mm when the hydraulic part is released.

适用于工矿企业，是短距离移动货物称重的最佳选择。
Applicable to industrial and mining enterprises and it's the best choice for weighing moving cargo in short distance.

尼龙的转向轮和运输轮适用于降低运输高度，对化学品有高阻抗力，运输不留痕迹。

The nylon wheels are suitable for low drag efforts, high resistance to chemicals and non-marking traces.

聚氨酯的轮子适用于轻型地板，载重的时候不会留下痕迹，运输的时候噪声小，并耐用。

The polyurethane wheels are suitable to the light floor, quiet and durable.

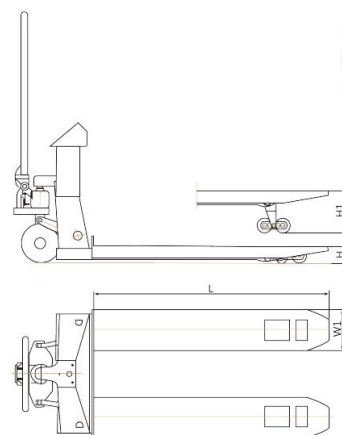


多种仪表可供选择，适用不同使用环境。

Various indicators are available and it can be used in different situation.

选用不锈钢材质，使用范围可扩展到食品、渔业、化工等工业企业。

Stainless steel extends the using range to factory plant, chemical industries, etc.



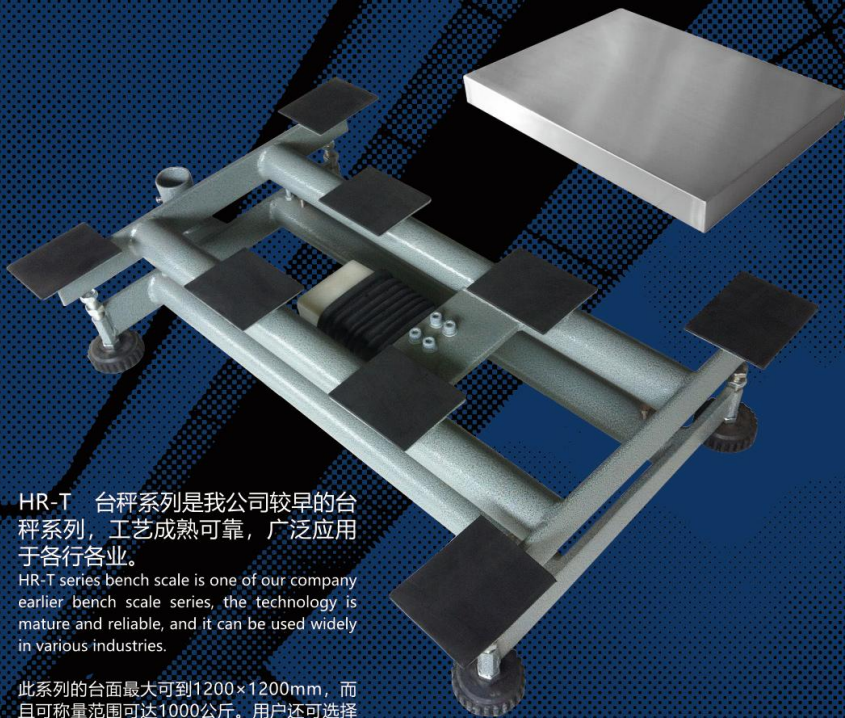
Model	W	W1	H	H1	L	Capacity
HR550	550mm	160mm	78mm	195mm	1150mm	2000kg
HR685	685mm	160mm	78mm	195mm	1150mm	2000kg

非标车可加工定制



HENER Weighing Equipment

台秤 / Bench Scale



HR-T 台秤系列是我公司较早的台秤系列，工艺成熟可靠，广泛应用于各行各业。

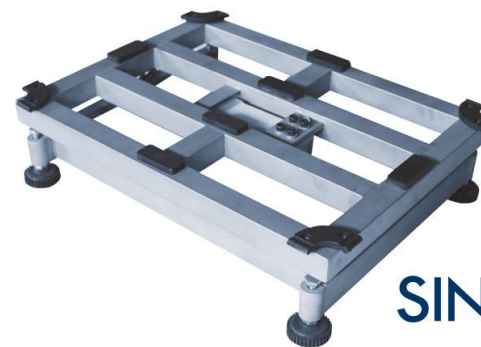
HR-T series bench scale is one of our company earlier bench scale series, the technology is mature and reliable, and it can be used widely in various industries.

此系列的台面最大可到1200×1200mm，而且可称量范围可达1000公斤。用户还可选择台面材料：不锈钢(SS)或碳钢(CS)台面。

The largest platform in this series can reach to 1200*1200mm, and the maximum weighing is up to 1,000kg. Users can also choose platform material: stainless steel (SS) or carbon steel (CS) platform.

HENER 20

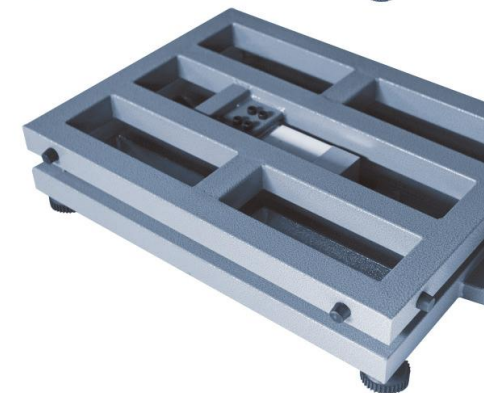
标准尺寸 Dimension	标准称量 Capability	标准规格 Specification
300×400(mm)	100kg	碳钢秤架，表面喷塑处理，可选全不锈钢秤架。 Carbon steel structure, power coated finish, stainless steel body is optional 全304不锈钢台面。(可选碳钢台面) SU304 stainless steel cover (carbon steel cover optional) 标配恒尔传感器，选配中航传感器 Hener load cell (aluminum, OIML approval) 标准配置不带仪表，多种仪表可供选配 Indicator is optional
400×500(mm)	200kg	
450×600(mm)	300kg	
500×500(mm)		
500×600(mm)	500kg	带碳钢支座和不锈钢圆管立杆 With stand (carbon steel) and pole (38mm stainless-steel tube) for the indicator
600×800(mm)		
800×800(mm)		
1000×1000(mm)	800kg	
1200×1200(mm)		



SINCE 2003

当您需要一个对重载或大冲击场合，有适应能力的台秤产品时，我们建议您选择HR-V系列台秤。我们知道在钢铁制造业、港口、码头、气站等场合，台秤将被高强度的使用和残忍强烈的冲击，货物从被肩膀高的位置跌落下来，并且使用量将达500次以上。HR-V系列称体使用的是合金钢传感器，利用其高强度的结构和安装方式，它可以承受更强的冲击和重载，来保障更长的使用期限和挫折强度。

When you need a product which has adaptability to overload or powerful impact, we suggest you to choose HR-V overload series. We know that in steel industries, posts, wharfs, gas stations, etc, the bench scale will be high strength used and cruel powerful impacted, the goods may be fallen down from the shoulder-high position and used more than 500 times per day. HR-V overload series adopts alloy steel sensors, taking advantage of high strength structure and installation method, it can bear more powerful impact and overload to ensure longer working life and operating strength.



独特的设计理念，造就出恒尔物流秤。

Distinctive design idea makes the ONLY HENER logistic scale.

称重150kg的物流秤，配备了500kg的传感器，有效保证了操作人员的安全和称台的抗冲击性、增加耐用性，完全适应物流行业的多变性。

The capability is 150kg but it comes with 500kg load cell, which assure the safety of the operator, impact resistance of pad and increasing the durability. It fully adapts to the variability of the logistics industry.

Q235碳钢台面及不锈钢台面，坚固耐用，色彩多样化，造就精美的工艺品台面。

Q235 Carbon steel platform and stainless steel platform are sturdy, durable and colorful which makes the luxurious cover.

便携式物流秤



Portable Logistic Scale

SINCE 2003



侧身的把手使得操作员轻易能上门揽货。

The side handle make it convenient for operator to carry and collect goods from customers.

针对客户，多样化设计，个性LOGO，体现自身档次。

It can provide various design and individual LOGO to the needs of different customers.

自带高精度仪表系统电器套件，完全满足各种称量的需要。

It comes with high-precision indicator system which is suitable for all kinds of weighing applications.

固定式轴重秤

广泛应用于交通、建筑、能源、环保等低值物料的称重计量。称量迅速，操作使用方便，安装维护简单。通过车辆的轴与轴组进行称重，累加得出总重。

单轴：3.2×0.9m 最大轴重：30t

双轴：3.2×2.2m 最大轴重：50t

固定式轴重秤配上光幕、地感线圈轮胎识别器，摄像监控和中央控制系统可组成车辆超限检测系统

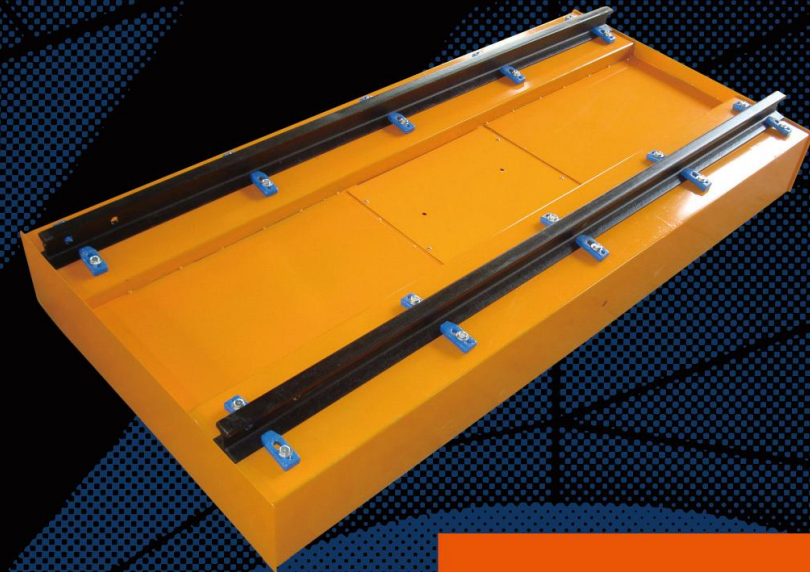
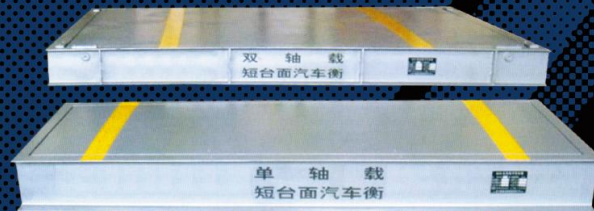
This Weighing equipment is widely applied to weighing works in transportation, construction, energy, environmental protection, and other low-value materials industry, with features of quick weighing, easy operation, convenient installation and simple maintenance.

Through weighing the axes of the vehicles, to get the total weight

Uniaxial: 3.2 × 0.9m. Maximum axle load: 30t

Biaxial: 3.2 × 2.2m maximum axle load: 50t

The fixed axle load scales coupled with light curtains, the sense coil tire identification, video surveillance and central control system, can compose to a vehicle overrun detection system.



Electronic Rail Scale

电子轨道衡

称量有轨货车的载重衡器。广泛应用于工厂、矿山、冶金、外贸和铁路部门对货车散装货物的称量。

可分为静态：用于称重静止状态的货车载重。

动态：用于车辆行驶过程中的称重速度 < 10km/h。

可根据客户指定轨距及使用要求，进行个性化生产。

It is a weighing equipment for weighing rail trucks, and is widely used in factories, mines, metallurgy, foreign trade, and railway departments, to weigh the bulk cargo.

There are two function state:

Static state: for weighing truck load of stationary state.

Dynamic state: for weighing moving vehicles, with the speed less than 10km / h.

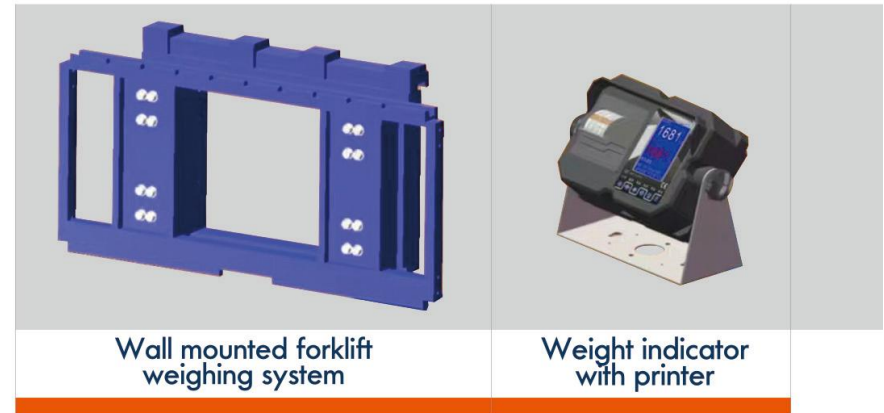
Rail distance can be customized according to the customers' requirements.

HENER



1/3000

叉车称重系统



Wall mounted forklift weighing system

Weight indicator with printer

1/3000 Strong Versatility

There are many kinds of forklifts. Hener wall-mounted forklift scale can be installed on standard forklifts, and the fork foot can be moved left and right.

High Precision

Using 4 ultra-high-precision load cell, the limit division value reaches 1 kg, even if the center of the cargo scale is biased, it can still weigh accurately.

Wireless Communication

Through wireless transmission, the danger of the transmission line being torn off when the forklift weighs can be avoided. It can also be equipped with a hand-held instrument or the instrument can be carried with you.

Specification:

Weight Capacity:	50-3500kg
load Cell Quantity:	4PCS high precision load cell
Accurate:	1kg
Operating Voltage:	12-24V
Comprehensive error:	0.10%
Indicator Size:	177mm*125mm*110mm
Total weight:	180kg
Wire tvoe:	Wireless bluetooth
Screen display:	18mm LCD display
Maximum Working Time:	60 Hours
Bluetooth body charger:	4.2v
Installation Method/Width:	Thermal printing/54mm
Charging time:	4 hours
Print Format:	1. Current weight 2. Total weight
Basic function:	Emphasis, cumulative display, easy calibration



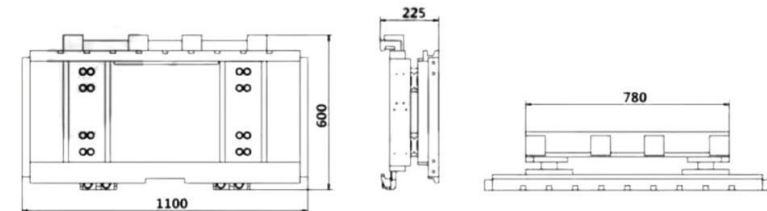
Left



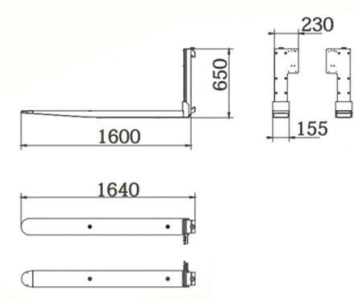
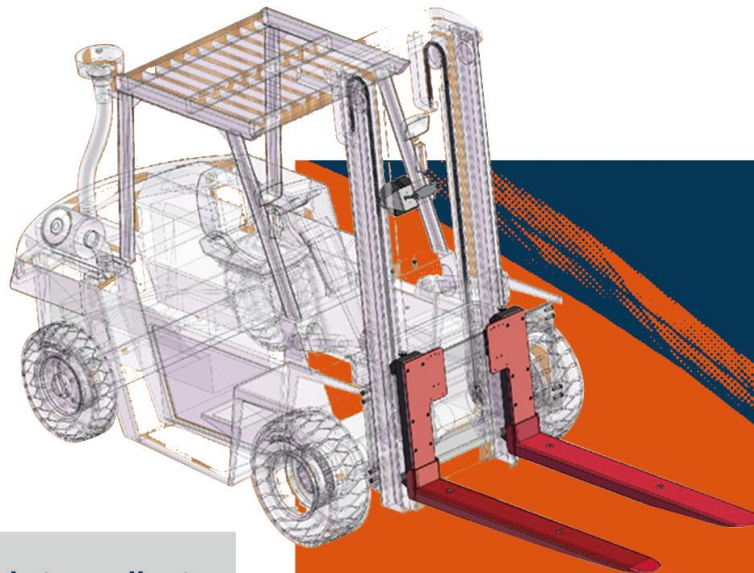
Middle



Right



Forklift Weighing System (1/1000)



Weight indicator with printer

Handheld weighing instrument (Optional)

Quick installation

The leg-type forklift scale can be used just by hanging a new fork and installing an instrument.

Save time and energy

Using 4 ultra-high-precision sensors plus angle level compensation, it is accurate and durable.

Horizontal force

The high-precision sensor is installed on the plane of the fork, with average force and high accuracy

Specification	
Weight capacity	50-3500kg
Comprehensive error	0.1%
Accurate	2kg
Screen display	18mm LCD display
Maximum working time	60 Hours
Wire type	Wireless bluetooth
Load cell quantity	4pcs high precision
Installation method/width	Mast suspension
Load cell material	Alloy steel
Charging time	4 Hours
Total weight	160kg
Indicator working voltage	12-24V
Basic function	Emphasis .cumulative displav.easv calibration
Print format	1.Current weight 2.Total weight

U-type Scale

U型秤

该平台秤专为搬运小车、叉车或铲车搬运货物称重的用户设计制造的，具有准确度高，称量迅速，操作简便，搬运方便的优点，自身带有提手及移动小滚轮，移动方便，不用时刻侧放在一边，节省空间。

材质分为：碳钢、不锈钢

规格：1.2m×0.84m×0.08m(特殊规格可定制生产)

最大称重量：5t

This U-type scale is designed for people who carry with trolleys, forklift to weigh. It has the advantages of high accuracy, fast weighing, easy operation, convenient carrying. Besides, it comes with a handle and small wheels to make it move easily, and you can put it on its side to save space.

Material: Carbon steel, stainless steel

Specifications: 1.2m × 0.84m × 0.08m (special specifications can be customized)

Maximum weighing: 5t



HENER 30

Portable Weighing Beams

条形秤

该平台秤是由2条独立的称体通过信号电缆连接组成的称重系统。

This scale is a weighing system which is consisted of two separate weighing bars connected by the signal cable.

体积小,方便移动和携带。

This scale body is small and it's convenient to move and carry.

广泛应用于仓库、物流等大量使用托盘的场合。

This scale is extensively used in these occasions where have lot of pallets, like warehouse, logistics and so on.

称量面积可大可小, 适用场合能力强。

Weighing flat can be big or small; big application to different occasions.

材质可分为碳钢、不锈钢。

Carbon steel and stainless steel is optional.

规格：1.2×0.12×0.08m 特殊规格可定制。

Specifications: 1.2 × 0.12 × 0.08m

Special specifications can be customized.

最大称重：3t

Max. Capacity: 3t



HENER Weighing
Equipment

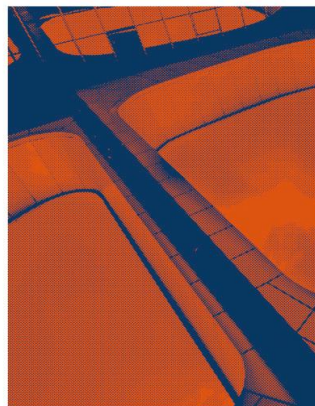
He



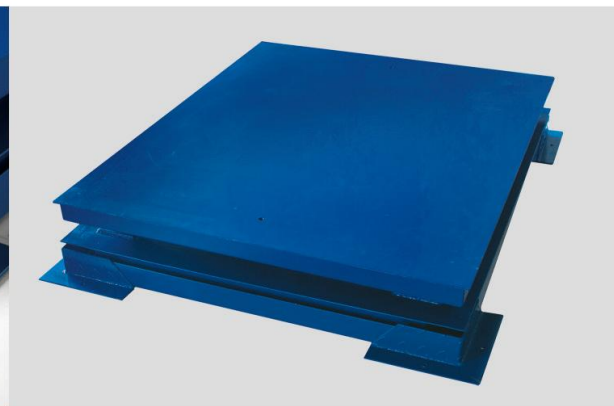
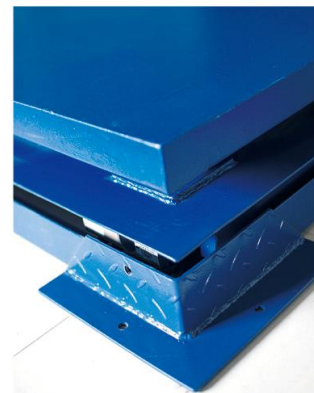
Livestock scale

牲口秤

- ▶ 独特的设计模型，对开门带锁。
The design is unique, and the doors are opposite with locks
- ▶ 表面烤漆处理，抗腐性强。
The surface adopts paint with excellent corrosion resistance.
- ▶ 选用不锈钢材质，应用范围更广。
Stainless steel material makes the range of application is wider.
- ▶ 该平台秤广泛应用于牲畜屠宰行业活体称重，配合高精度动态称重系统，使其在称重过程中更加便利。
This scale is widely used in the livestock slaughter industry.
The high-precision dynamic weighing system makes the scale more convenient in the weighing process.
- ▶ 由于称重场合的特殊性，所有规格均为定制。
Due to the weighing occasions are special, all the livestock scales are customized.



HENER Weighing
Equipment



Buffering scale

钢材缓冲秤

- ▶ 称台三层结构通过预紧的高强度螺旋压缩弹簧连接，实现缓冲，抗冲击力强。
The three-decker structure is connected by pretension of high strength helical compression spring to achieve the cushioning and strong impact resistance.
- ▶ 特别适用于起重设备搬运货物进行称重的行业。
The scale is specially suitable for weighing the goods which is carried by the lifting equipment.
- ▶ 能有效吸收称量过程的大冲击。
It can effectively absorb the powerful impact in the weighing process.
- ▶ 特殊行业，客户定制。
The scale can be customized according to the special industry.
- ▶ 最大称重：50t
Max. Capacity: 50t

SINCE 2003

Crane Scale

吊钩秤

采用一体式传感器设计，高强度铝合金外壳，美观轻盈，吊钩360度旋转，既安全又方便，广泛应用于冶金、码头、矿山等所有使用起重设备的各个行业。

可选直视式和无线传输式二种。

特殊行业可定制。

最大称量：50t

It is very beautiful and light with the design of integrated sensor and high-strength aluminum alloy case. Besides, it is also very convenient and safe with 360 degree rotation, and is widely used in metallurgy, docks, mines and other industry which use lifting equipment.

Visual and wireless transmission type are optional.

Can be customized according to different requirement

Maximum weighing: 50t



Steel Cylinder Scale

钢瓶秤

该平台秤主要是为了生产液态氧气、液态氨气等行业称重的专用衡器。

This scale is the special scale which is used for producing liquid oxygen, liquid ammonia, and other industries.

采用框架结构，表面覆多层防腐涂料，耐腐蚀，方便冲洗。The scale adopts frame structure and surface is covered with multi-layer anti-corrosion coatings, so it's corrosion-resistant and easy to wash.

称台上钢瓶支架方便转动

The cylinder bracket on the platform is easy to rotate.

可选配不锈钢材质以及防爆系统。

Stainless steel material, as well as explosion protection system is optional.

标准规格：0.8×1.2m

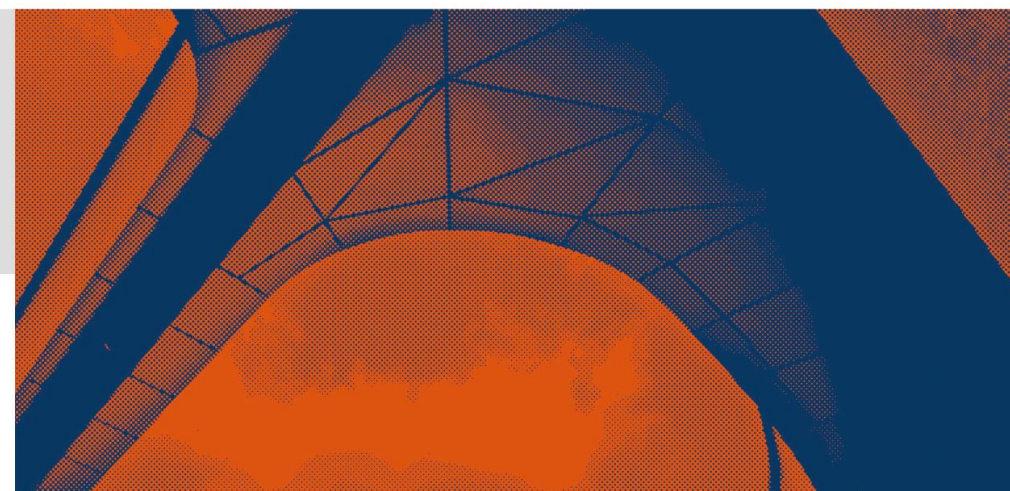
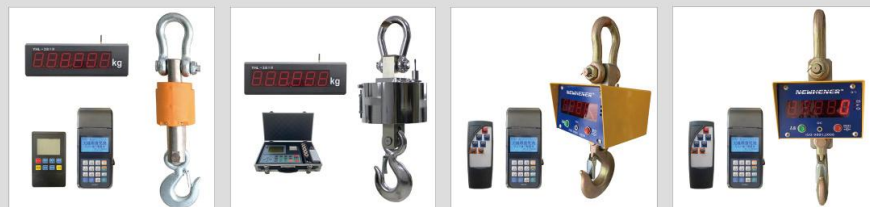
Standard Specification: 0.8 × 1.2m

称量：2t, 3t

Capacity: 2t, 3t

钢瓶规格：Ø400~800mm

Cylinder Specification: Ø400 ~ 800mm



HR-B Explosion-proof Indicator HR-B防爆仪表



HR-Y Weighing Indicator (A6、A12E) HR-Y称重显示器

HR-Y称重仪表具有普及性高，长期稳定性好，交直流两用，维护调试简单，抗干扰能力强，使用环境广，可定制增加个性化功能等优点。适用于电子平台秤，汽车衡等。

HR-Y Weighing indicator is widely used and comes with the advantage of long-term stability, AC and DC can be used, simple maintenance, strong anti-jamming, adaptability to different environment and it can be customized to add personalization features which is suitable for electronic platform scales, truck scale etc.

可选配 高精度数字仪表，长期稳定性更好。
High-precision digital indicator is optional

微型打印机
Micro-printer is optional

远距离观察称重结果，室外安装，可作为称重装置的辅助显示器。通用性强，可与各种称重显示器连接

It can show the weighing results from long distance, outdoor installation and it can be used as a secondary monitor of weighing equipment. It is widely used and can be connected to different weighing indicator.

产品可分为“3”“5”“8”（可选防爆型）

The product can be classified to "3", "5", "8" (Explosion-proof is optional)



HR-R Weighing Management Software

HR-R称重管理软件

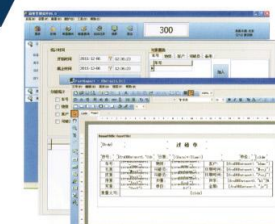
HR-R称重管理软件是一款同行业中具有优先地位的软件，秉承的是简洁、实用、功能齐备的理念。界面简单大方，没有过多修饰，一目了然，扩展能力强，客户可定制软件功能，更人性化的满足特定需求。

HR-R weighing management software is a priority software in the industry, which with the concept of simple, practical, full-featured. The interface is simple and generous, strong capability without too much decoration. Customers can customize the software function to meet special needs.

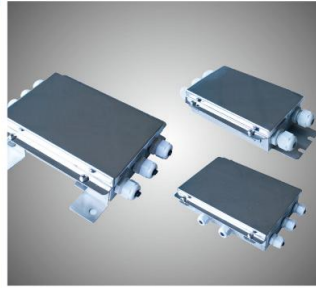
HR-D Weighing Printer HR-D称重打印机

松下KX-1211 打印机是称重系统中使用最多的一款针式打印机，具有价格低、稳定性好，打印能力强（三层无碳一次打印），维护方便，耗材易购等优点。另外可选更高档次打印机，爱普生300K，打印效果更佳。

Panasonic KX-1211 printer is the popular dot matrix printer in weighing system. It comes with low price, good stability, good print ability, easy maintenance and consumables are easy to buy. Besides, higher-grade printer (Epson 300K) is optional, better printing



01



HR-J Weighing Junction Box HR-J称重接线盒

HR-J集线盒, 外观精致, 内在电路结构合理, 均采用高精度、高可靠性的电子原件, 塑胶防水密封, 保证长期稳定性。
调电压, 信号可选

可分为4、6、8、10线制, 适应全系列称重系统
HR-J weighing junction box has delicate outlook and reasonable structure of the internal circuit. It uses the high-precision, high reliability electronic components and plastic waterproof seal to guarantee long-term stability.
Signal and voltage adjustment is optional.
It is divided into 4, 6, 8, 10-wire, adapt to all weighing systems

02



HR6G Weighing Load Cell HR6G 称重传感器

HR6G称重传感器可满足100/200/300/500kg量程范围内多种精密等级的测量, C3精度, 安全过载150%

HR6G load cell can fit a variety of precision level measurement among 100/200/300/500kg, high precision sensors with C3, safe overload 150%
最大秤台: 600×600mm.
The maximum size of weighing platform: 600×600mm.
铝合金材料, 平行梁结构。
Aluminum alloy materials, parallel beam structure.
硅橡胶密封, 表面阳极化, 耐腐蚀性佳。
Silastic sealed, surface anodized, excellent capability of corrosion resistance.
整体结构安装使用方便, 运用于常规中型称量台秤。
Integral structure, convenient for installation.

03

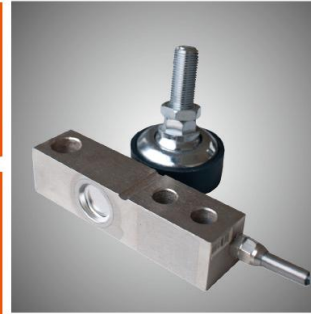


HR6F Weighing Load Cell HR6F 称重传感器

HR6F 称重传感器可满足500/750/1000/2000kg量程范围内多种精密等级的测量, C3精度, 安全过载150%

HR6F load cell can fit a variety of precision level measurement among 500/750/1000/2000kg, high precision sensors with C3, 150% safe overload
最大秤台: 1200×1200mm.
The maximum size of weighing platform: 1200×1200mm.
铝合金材料, 立式结构, 抗冲击性强, 可选合金钢材质。
Aluminum alloy materials, vertical structure, strong impact resistance, alloy steel material is optional
硅橡胶密封, 表面阳极化, 耐腐蚀性佳。
Silastic sealed, surface anodized, excellent capability of corrosion resistance.
整体结构安装使用方便, 适用大称量, 重载型电子台秤。
Integral structure, convenient for installation, be suitable for heavy-duty weighing electronic scales.

04



HR8C Weighing Load Cell HR8C 称重传感器

HR8C 称重传感器可满足500/1000/2000/3000kg量程范围内多种精密等级的测量, C3精度。

HR8C load cell can fit a variety of precision level measurement among 500/1000/2000/3000kg, high precision sensors with C3.
内部灌密封胶, 防油、防水、耐腐蚀, 适用于任何环境。
Internal filling plastic sealed, oil, water and corrosion resistance, it can be used in any environment.
单剪切梁结构设计, 安装高度低, 使用方便, 性能稳定。
Design of single part shear beams structure, low installation height, convenient for installation, stable performance.
适用于地上衡、建材配料等各种称重控制
Be suitable for all kinds of floor scale and building materials ingredients

05

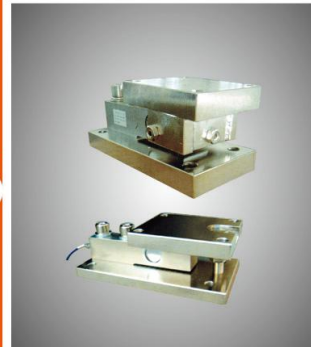


HRQS Weighbridge Indicator HRQS桥式称重传感器

HRQS桥式称重传感器, 结构简单, 钢球传力, 自动复位, 具有抗冲击能力强, 适应恶劣环境, 精度高, 长期稳定性好。安装维护方便, 互换性好等优点。

HRQS Weighbridge Indicator has the features of simply structure, ball load-transfer, automatic reset and strong impact resistance, adapt to the harsh environment with advantage of high accuracy, long-term stability, easy maintenance and good interchangeability
适用于电子汽车衡, 轨道衡等专业衡器
Be suitable for professional weighing equipments, like electronic truck scale, rail scale etc.
量程范围: 5、10、20、30、40、50吨
Scale range: 5、10、20、30、40、50tons
可选高温、数字、高精度(贵重物品称量, 保证常年的稳定性及称量准确性)
High temperature, digital, high-precision is optional. (Valuables weighing, ensure the long-term stability and weighing accuracy)

06



HRM Series Of High Precision Weighing Module HRM系列高精度称重模块

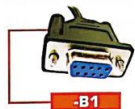
恒尔公司生产的HRM系列高精度称重模块 称量精度高, 可靠性强。适用于化工、石油、电力、建筑、医药、食品等槽罐、料罐系统。模块可选配碳钢或不锈钢材质, 碳钢材质, 使用优质合金钢传感器, 模块表面镀锌或镀镍, 适用于大吨位槽罐的配料称重控制; 不锈钢材质, 使用进口不锈钢焊接密封传感器, 防护等级为IP68, 适用于各种恶劣环境下大吨位槽罐的配料称重控制, 可分为动载型和静载型。

HRM series of high precision weighing module from Hener have precision and good reliability. It applies to barreling and filling system of chemistry, medicine, food industry and so on. The module can be made of carbon steel (with high quality alloy load cell, galvanized or nickel plated surface, applying for heavy barreling and filling system) or stainless steel (with protection level of IP68, applying for barreling and filling system working in bad situation).

COMMUNICATION OPTIONS

RS232

- Used for connecting a single device (PC, printer, etc.)
- Max. communication distance is between 50m - 100m



-B1

USB

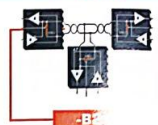
- Used for PC connection
 - Needs special USB cable
- E 1,80m USB cable is provided as a standard. Possible data loss for cables longer than 1,80m



-BU

RS485

- Used for connecting multiple weighing scales to one PC
- Mostly preferred for industrial applications
- Max. communication distance is over 500m.
- Needs RS485-RS232 converter on PC



-B2

ETHERNET

- Connections for devices on Local Networks (LAN) (PC, printer, another scale, etc.)
- Requires CAT5 or CAT6 cabling
- Depending on the cable quality, max. communication distance to the closest switch is around 100m



-BE

BLUETOOTH WIRELESS CONNECTION

- Used for connecting to other devices with bluetooth
- Used for connecting to other devices with bluetooth function (cell phones, handheld terminal, PC, printer, etc.)
- Max. distance is between 10m - 15m
- Suggested to be used in the same room with other bluetooth devices



-BB

HIGH POWER BLUETOOTH WIRELESS CONNECTION

- Used for a wireless connection with a single device
- Used for connecting to other devices with bluetooth function (cell phones, handheld terminal, PC, printer, etc.)
- Max. distance is between 25m - 50m
- Suggested to be used in the same room with other bluetooth devices or between two rooms separated with a single wall



-BBH

WI-FI WIRELESS CONNECTION

- Standard wireless communication solution
- Max. distance to the closest access point is between 10m - 15m



-BW

EXTERNAL HIGH POWER WI-FI WIRELESS CONNECTION

- Solution for the current ethernet communication with an additional module converting the system to a wireless communication
- Max. distance to the closest access point is between 25m - 30m



-BWH

GPRS CONNECTION

- Mostly used for connecting to a main server on internet via GSM operator
- Requires SIM card or data line to operate
- Max. distance is limited with the GSM operator's network coverage



-GPRS

我们的技术能力 - 为您创造更多价值



One-stop weighing device solution service provider